

GARLOCK

TM

EQUIPMENT COMPANY

ULTRACUTTER MINITM



Honda Powered



No-Tool Floating Shroud

- Best in Class Clearance
- Increased Productivity
- No-tool Adjustments
- Easy to Service
- Easy to Transport



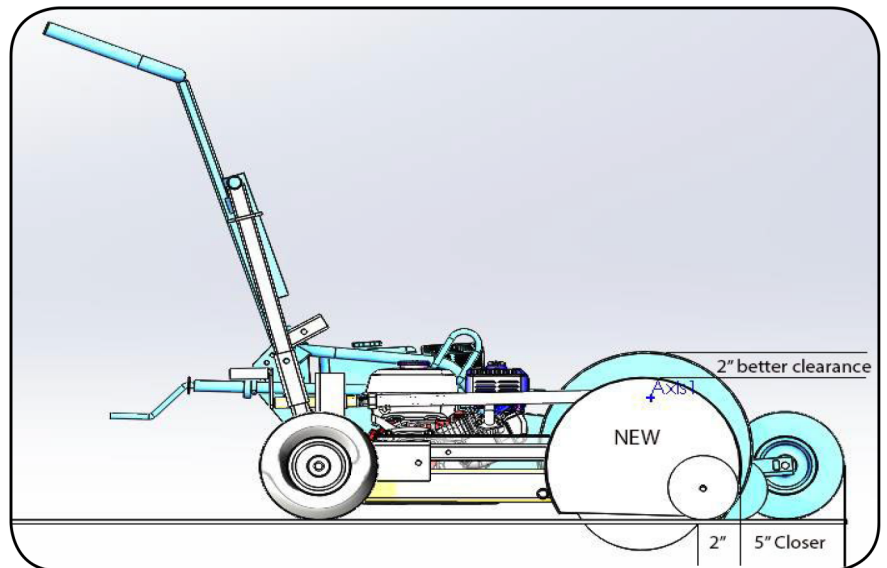
BEST IN CLASS CLEARANCE: Go farther under air conditioners, vents and other on-roof equipment. Achieve better reach and spend less time jacking with UltraCutter Mini's low 17" clearance height and Max-Adjust handle.

INCREASED PRODUCTIVITY: Increase cutting efficiency and cut a full 5 inches closer with the forward blade design. Maximize tear-off productivity with 2 inch wall clearance.

NO-TOOL ADJUSTMENTS: Maximize up-time and make no-tool adjustments to the handle position.

EASY TO SERVICE: Experience less downtime with the quick change belt system and no-tool access to the blade.

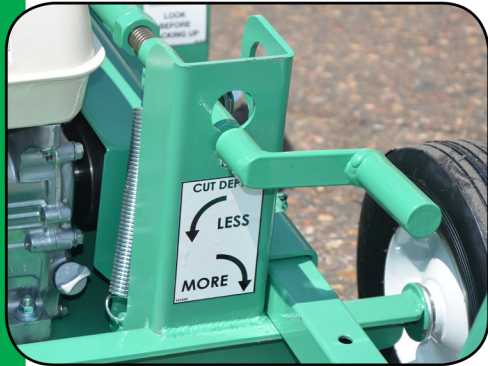
EASY TO TRANSPORT: Hoisting is easy with built in lifting rings and take up less space in your truck when transporting with the fold down handle.



Forward cutter design allows 2 inch wall clearance and lower height means less jacking of on-roof obstructions.

www.profastinc.com

ULTRACUTTER - MINI: FEATURES AND OPTIONS



Depth adjuster in travel position
Lift up on adjuster to work.



Depth adjuster in work position
Press down on handlebar for travel mode



Handle in Transport



Handle Set for Max
Cutting Clearance



Handle Extended



Handle in normal
position

SPECIFICATIONS

UltraCutter MINI

Weight	162 lbs.
Transport Dimensions (LxWxH)	44" x 28" x 17"
Clearance Height	17"
HONDA Engine HP	5.5hp
Handle height	37"

Due to continuous improvement, specifications are subject to change without notice.



Philadelphia Office

6 Poulson Ave
P.O. Box 156
Essington, PA 19029
Phone: 610-521-3404
Fax: 610-521-4717

Harrisburg Office

7917 Derry St
Suite 106
Harrisburg, PA 17111
Phone: 717-458-5610
Fax: 717-458-5613

Pittsburgh Office

503-5 North Drive
Sewickley, PA 15143
Phone: 412-259-8449
Fax: 412-291-3188